

HEAVY LINE TRUCK LIFT 22T - MOBILE/WIRELESS

LDK55SW/22

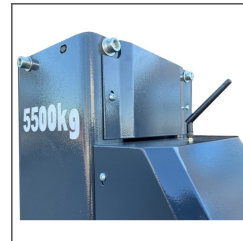
ALSO AVAILABLE IN 30T + 32T + 34T VERSIONS



ELECTROHYDRAULIC LIFT  
MECHANICAL HEIGHT LOCK  
EMERGENCY PUMP

CAPACITY:	22.000 kg
POWER SUPPLY:	230V/24V
MOTOR POWER:	2,2 kW
LIFTING HEIGHT:	1800 mm
STARTING HEIGHT:	0 mm
FORK MIN:	166 mm
FORK MAX:	550mm
LIFTING TIME:	<= 85 sec.
NOISE LEVEL:	≤ 68 dB
WORKING TEMPERATURE:	5 – 40 °C
WEIGHT:	2.000 kg

- designed for lifting heavy vehicles.
- battery powered - 2 rechargeable 24V batteries
- mechanical height lock released pneumatically
- controlled by microprocessor
- free connections up to 16 columns = 88.000 kg



ALSO AVAILABLE IN 7500 KG + 8000 KG + 8500 KG VERSIONS



MODEL:	LDK55SW/5,5
CAPACITY:	5500 kg
POWER SUPPLY:	24V/230V
LIFTING HEIGHT:	1800 mm
STARTING HEIGHT:	0 mm
FORK WIDTH:	16,6 - 55 cm
LIFTING TIME:	<= 85 sec.
WEIGHT:	500 kg

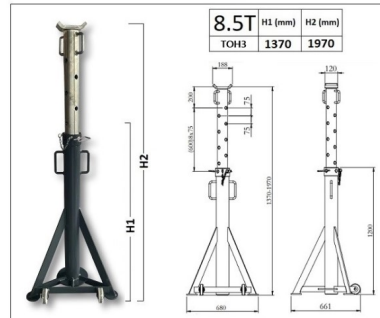
AUNTEC TOH1



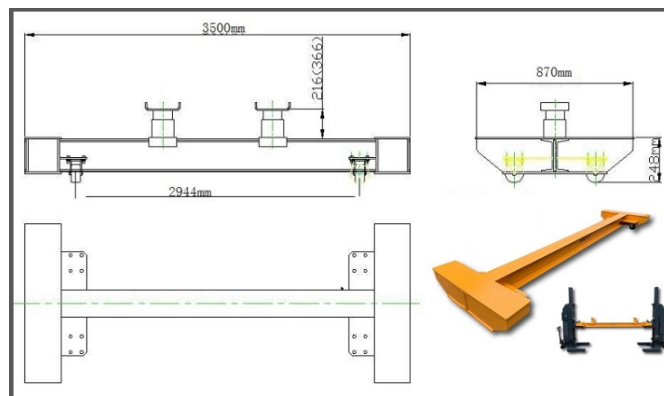
AUNTEC TOH2



AUNTEC TOH3



CROSSBEAM TRANSPORTABLE AUNTEC LDK11W  
CAPACITY 11T



FORKLIFTING RAMPS AUNTEC  
LDKTL1 CAPACITY 10T

