

1-Post-lift

ultra flat | mobile | *Item No.: TW 125 M*

230 V



2500 kg



TW 125 M << 1-Post-lift

Description

Mobile, ultra flat 1-post lift.

NEW: The extreme low frame height of only 85 mm and a lowest lifting height of just 90 mm. Our TOP model 1-post lift is practical in every way. The one post mobile lift is ideal for use in tight spaces; it can be moved as easily as a pallet lifter on all smooth hard surfaces.

Features

- 1A Quality built with CE-Certificate
- Manufactured in accordance to ISO 9001
- Hydraulic cylinder for powerful lifting
- Adjustable lifting pads
- Telescopic lifting arms
- Mechanical safety-locks
- Manual safety lock release
- Special rolled section columns
- Aluminum-motor with 24 V -Control box
- Column chain guard

Delivery contents

- Lift incl. Power unit
- English instruction manual
- Examination book
- CE-Certificate
- *Product video online*
- *Assembly video online*



Product video



Assembly video



optionally available:

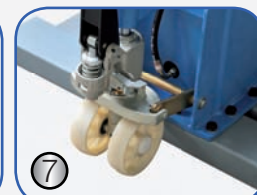
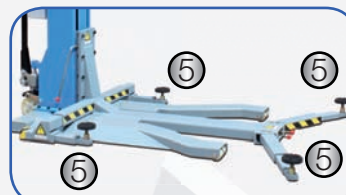


2 pieces in the set

Cross beams for the 1 post lift (TW 125 Q)

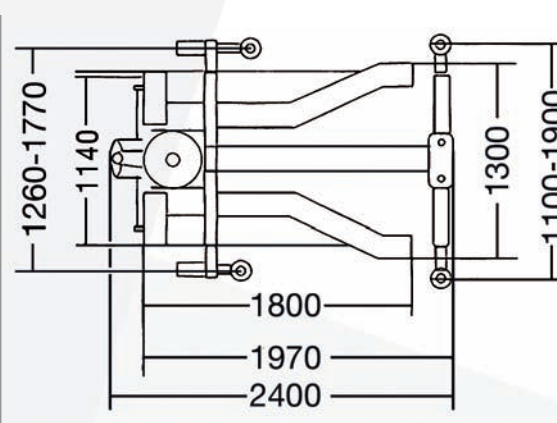
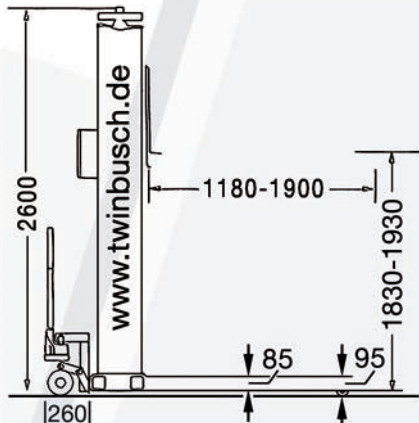
Set of cross beams for lifting vehicles with narrow frames such as off-road vehicles or pre-war vintage cars.

Details



- (1) Safety lock and release (2) Control box (3) Aluminum-motor (4) Solid jacking system, easy to move (5) 2-stage adjustable lifting pads (6) Lowest lifting height 90 mm (7) Mobile chassis (8) Telescopic adjustable lifting arms

Dimensions and technical data



| Technical Data: TW 125 M | |
|----------------------------------|---------------|
| Lifting capacity | 2500 kg |
| Lifting height max. | 1830-1930 mm |
| Lowest lifting point | 90 mm |
| Lifting, lowering time (approx.) | 35/30 sec. |
| Power supply | 230 V |
| Motor power | 2,2 kW |
| Fusing | 16 A / type C |
| Weight (approx.) | 720 kg |