

Low rise scissor lift

Item No.: TW S3-10 E

230 V

or*

400 V

Both versions available

Autom.

3000 kg



TW S3-10 E << Scissor lift

Description

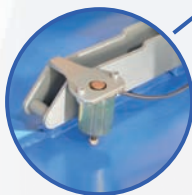
Low rise scissor lift. 1000 mm lifting height. Ideal for tyre service, painting and body work. With electromagnetic release. no compressed air supply is required. The platform can be lengthened by locking the drive on ramps. A very practical mobile kit is available as an option.

Features

- 1A Quality built with CE-Certificate
- Manufactured in accordance to ISO 9001
- Low drive over height
- Mechanical synchronisation
- High quality solid construction
- Two powerful hydraulic cylinders
- Automatic safety lock
- Pneumatic release system
- Acoustic warning signal (foot protection)
- Foot protection
- 3000 kg lifting capacity

Delivery contents

- Lift incl. Power unit
- Rubber blocks
- English instruction manual
- Examination book | CE-Certificate
- [Product video online](#) | [Assembly video online](#)



New: Electromagnetic safety release

(no compressed air required)

Thus, extremely flexible, since only a corresponding power connection is required!



Product video



Assembly video



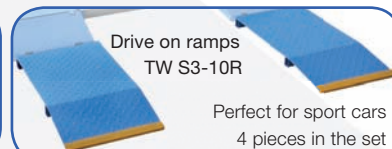
optionally available:

Mobile kit for the TW S3-10 E



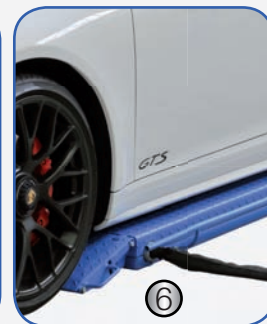
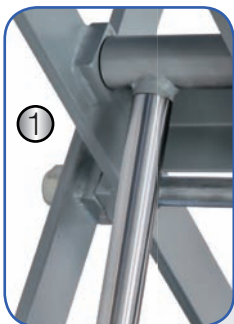
TW S3-10A

Drive on ramps TW S3-10R



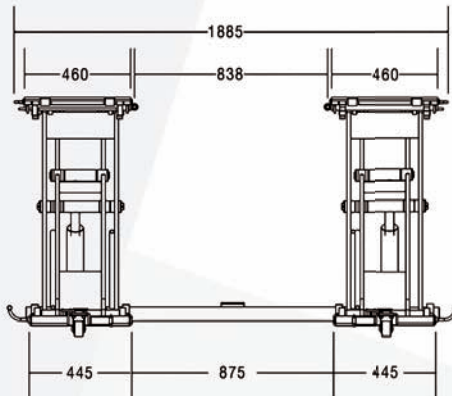
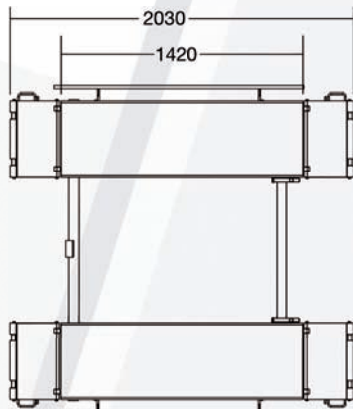
Perfect for sport cars
4 pieces in the set

Details



- (1) High quality hydraulic cylinder (2) Easy to use control box (3) Automatic safety- lock-release
(4) Lockable drive on ramp extensions for longer vehicles (5) Reinforced baseplate (6) Low drive over height of only 110 mm

Dimensions and technical data



Technical Data: TW S3-10 E	
Lifting capacity	3000 kg
Lifting height max.	1000 mm + Rubber
Drive on height	110 mm
Lifting, lowering time (approx.)	20/20 sec.
Power supply	400 V or 230 V*
Motor power	2,2 kW
Fusing	16 A / type C
Weight (approx.)	500 kg

*Please note: The products are being sold as the 400-volt model, if desired, please specify the 230-volt version.