



1-post parking lift - GREY-Line

Item No.: TW127P-G

2700 kg
 2,10 m
 230 V
 Autom.



Description

The innovative 1-post parking lift with automatic unlocking. Due to the design with only one column, a significantly smaller footprint is required than, for example, with a 2- or 4-post parking lift, making it ideal for tight spaces. The control unit on the column ensures comfortable lifting and lowering of the parking platform. The design with only one column ensures ideal access to the vehicle. With an underride height of 1890 mm (without roll-off protection), a clearance height (floor to lower edge of platform) of 1970 mm and a load capacity of 2700 kg, the 1-post parking lift is also very well suited for high and also for heavier vehicles. The large footprint of the upper platform and the resulting parking space underneath result in extremely flexible parking and application possibilities.

Features

- 1A Quality built with CE-Certificate
- Manufactured in accordance to ISO 9001
- **Automatic unlocking (electromagnetic), no compressed air required**
- Safety locks for very long storage periods
- High quality column made from specially folded steel
- Single powerful hydraulic cylinder for lifting and lowering
- **Vehicle roll-off protection**
- High quality powder coating

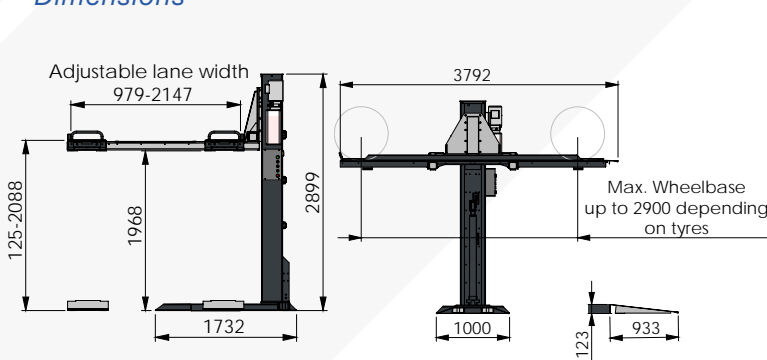
Delivery contents

- Lift incl. Power unit | Heavy duty anchor bolts (10 pcs.)
- English instruction manual
- Examination book and CE-Certificate

Videos



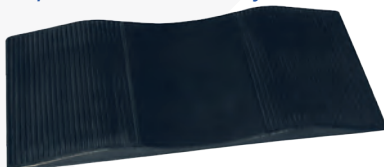
Dimensions



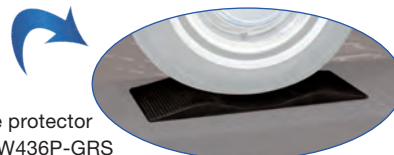
Technical Data

Lifting capacity	2700 kg
Lifting height max.	165 - 2100 mm
Platform length (Total)	3620 mm
Platform width	475 mm
Wheelbase length	up to 2900 mm
Lifting, lowering time (approx.)	45/30 sec.
Power supply	230 V
Motor power	2,2 kW
Fusing	16 A / type C
Weight (approx.)	1300 kg

Optional accessory



Rubber tyre protector
Item No.: TW436P-GRS



Further accessories can be found at www.twinbusch.co.uk