

Wheel balancer

Item No.: TW F-23



10" - 24"

230 V

Description

Automatic tyre balancing machine. **TOP professional quality at an affordable price.** Equipped with electric. Automatic probe arm for measuring rim distance and rim diameter. Automatic recognition of the balancing programs (Normal and Alu-S). Large digital 7.5 inch display.

Features

- 1A Quality built with CE-Certificate
- Manufactured in accordance to ISO 9001
- Top design and robust technology
- Digital display 7.5 inches | Foot brake
- Automatic measurement with wheel breaking
- Static and dynamic balancing
- Several available programs Normal / Static / Alu1, Alu2, Alu3, Alu-S / Motorcycle etc.
- Integrated calibration and self-diagnostic program
- **Optional:** Motorcycle adapter, diverse vehicle adapter

Delivery contents

- Wheel balancer TW F-23
- Centering cones (4 pcs.) gauge, weight pliers
- Quick release nut, Pressure cup, Rubber lip
- Calibration weight
- English instruction manual | CE-Certificate
- **Product video online | Assembly video**

NEW:
Foot
brake



Product
video



Assembly
video



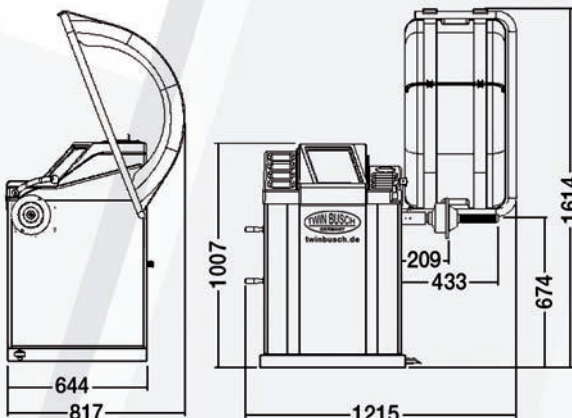
Please consult our technical decision-maker (on page 52) before purchasing your wheel balancer (s)!

Details



- (1) 15 storage compartments (2) Accurate targeted mounting of all the weights using the electronic caliper arm (3) Integrated distance measurement (4) Quick release nut $\varnothing = 40$ mm (5) Digital Display (The new, compartment design ensures maximum user comfort and optimal ergonomics)

Dimensions | Technical Data | Accessories



Extensive accessories

Technical Data: TW F-23

Wheel width	1,5" - 20"
Wheel diameter	10" - 24"
Wheel weight max.	65 kg
Wheel center hole	40-135 mm
Measuring tolerance	+/- 1 g
Measuring time (approx.)	4-7 sec.
Power supply	230 V~
Noise level	< 70 dB
Weight (approx.)	123 kg