



Tyre changer | Item No.: TW X-36 WDK



Product video



Assembly video



The WDK certificate stands for the highest quality and safety!

The tire is no longer just a piece of rubber.

It is a high-tech product, which has to meet the highest standards and demands.

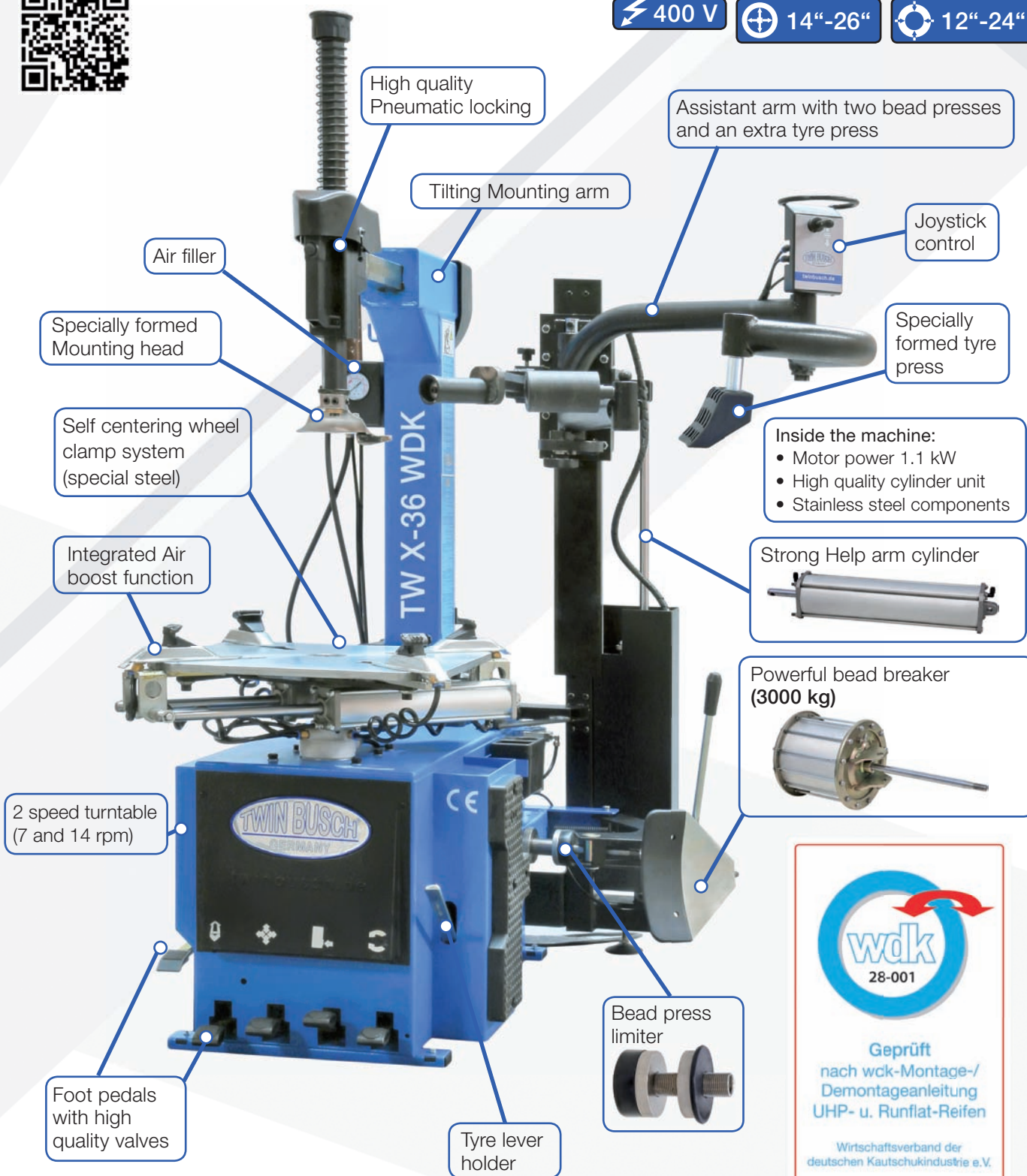
- The WDK certificate is the HIGHEST label for tire mounting machines.
- The TW X-36 WDK is a tire mounting machine, of professional class, tested with the strictest WDK guidelines.
- Your advantage: You have the option to register as a certified WDK installer and show your customers that they could not be in better hands!

The correct way makes all the difference. Incorrect installation may subsequently lead to serious accidents.

400 V

14"-26"

12"-24"



High quality Pneumatic locking

Tilting Mounting arm

Assistant arm with two bead presses and an extra tyre press

Joystick control

Air filler

Specially formed Mounting head

Specially formed tyre press

Self centering wheel clamp system (special steel)

Inside the machine:
 • Motor power 1.1 kW
 • High quality cylinder unit
 • Stainless steel components

Integrated Air boost function

Strong Help arm cylinder

2 speed turntable (7 and 14 rpm)

Powerful bead breaker (3000 kg)

Foot pedals with high quality valves

Bead press limiter

Tyre lever holder



The new TOP-Model - 2 Speed with WDK-certificate!



Description

TW X-36 WDK - 2 Speed with WDK-certificate!

Tyre changer with pneumatic tilting mounting arm and a built-in air booster. For standard, low profile, UHP and run-flat tires. Including assistant arm.

The TW X-36 WDK is a tire mounting machine of a professional class, tested with the strictest WDK guidelines.

The TW X-36 is characterized by many additional features, such as the assistant arm with two tyre rollers, specially shaped presses, an extra thick bead breaker, (adjustable) 2-speed rotary table (7 and 14 rpm), adjustable bead holder, bead chain, Rim flange protection and a certified WDK installation tyre lever. With the TW X-36 WDK a professional and damage free removal and installation is guaranteed.

Features

- WDK certificate | Quality workmanship
- Manufactured in accordance to ISO 9001
- 2 speed turntable (7 and 14 rpm)
- Adjustable tilting arm
- Robust construction
- Tyre and rim damage free mounting according to WDK
- Pneumatic mounting head locking
- Strong bead breaking (3000 kg)
- Large clamping range 12" - 26"
- Built in Air booster to aid tyre fitting
- Changeable mounting head rim protectors
- Strong electric motor for easy tyre fitting
- High quality steel clamps for long life
- Quality controls for fine adjustment and stop function
- Stainless steel internal parts (advantage: no rust)
- Self centring 4 clamping system

Delivery contents

- Tyre changer with maintenance unit
- Air filler and tyre lever according to WDK
- Rim protector
- Bead press (adjustable)
- Bead chain
- Bead press restrictor
- Plastic protectors for the mounting jaws (4 pcs.)
- Plastic protectors for the mounting head (set 3 pcs.)
- Operating instructions
- *Product video online | Assembly video*

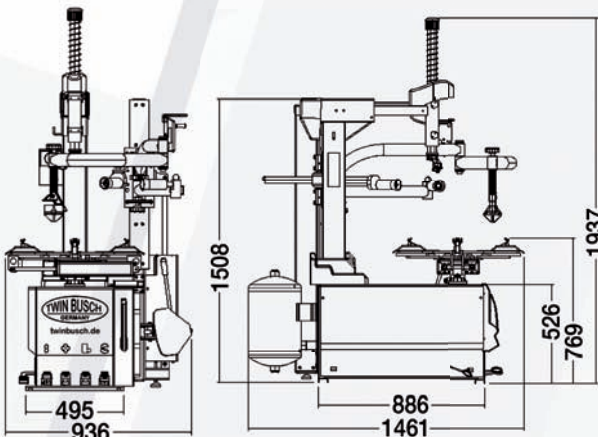
Check our technical decisions helper (on page 44) before you buy your Tyre fitting machine

Details



- (1) Extremely convenient mounting through two rollers on the assistant arm, specially shaped mounting press disc.
- (2) Bead chain holder according to WDK.
- (3) Powerful assistant arm
- (4) Less damage to tyres and rims due to the two roller presses
- (5) Two way speed switch
- (6) Pneumatic mounting head locking

Dimensions | Technical data | Accessories



Extensive accessories

Technical Data: TW X-36 WDK	
Clamping range outside	12" - 24"
Clamping range inside	14" - 26"
Wheel diameter (max.)	45" (1143 mm)
Wheel width (max.)	16" (406 mm)
Bead breaker force	3000 kg
Air supply	8 - 10 bar
Power supply	400 V / 3 Phase
Motor power	1,1 kW
Revolution speed	7 and 14 U/min.
Noise level	<70 dB
Weight (approx.)	360 kg