

# AVEC TDK15

## EASY LIFT

AIR / HYDRAULIC CAR LIFT

3000 **lb** Capacity

ASSEMBLY & OPERATION

INSTRUCTION **MANUAL**





# **TUXEDO DISTRIBUTORS LIMITED WARRANTY**

## **Structural Warranty:**

The following parts and structural components carry a five year warranty:

Columns	Top Rail Beam	Uprights	Arms Swivel Pins
Legs	Carriages	Tracks Overhead Beam	Cross Rails

## **Limited One-Year Warranty:**

Tuxedo Distributors, LLC ("Tuxedo") offers a limited one-year warranty to the original purchaser of Tuxedo lifts and Wheel Service in the United States and Canada. Tuxedo will replace, without charge, any part found defective in materials or workmanship under normal use, for a period of one year after purchase. The purchaser is responsible for all shipping charges. This warranty does not apply to equipment that has been improperly installed or altered or that has not been operated or maintained according to specifications.

## **Other Limitations:**

This warranty does not cover:

1. Parts needed for normal maintenance
2. Wear parts, including but not limited to cables, slider blocks, chains, rubber pads and pulleys
3. Replacement of lift and tire changer cylinders after the first 30 days. A seal kit and installation instructions will be sent for repairs thereafter.
4. On-site labor

Upon receipt, the customer must visually inspect the equipment for any potential freight damage before signing clear on the shipping receipt. Freight damage is not considered a warranty issue and therefore must be noted for any potential recovery with the shipping company.

The customer is required to notify Tuxedo of any missing parts within 72 hours. Timely notification must be received to be covered under warranty.

Tuxedo will replace any defective part under warranty at no charge as soon as such parts become available from the manufacturer. No guarantee is given as to the immediate availability of replacement parts.

Tuxedo reserves the right to make improvements and/or design changes to its lifts without any obligation to previously sold, assembled or fabricated equipment.

There is no other express warranty on the Tuxedo lifts and this warranty is exclusive of and in lieu of all other warranties, expressed or implied, including all warranties of merchantability and fitness for a particular purpose.

To the fullest extent allowed by law, Tuxedo shall not be liable for loss of use, cost of cover, lost profits, inconvenience, lost time, commercial loss or other incidental or consequential damages.

This Limited Warranty is granted to the original purchaser only and is not transferable or assignable.

Some states do not allow exclusion or limitation of consequential damages or how long an implied warranty lasts, so the above limitations and exclusions may not apply. This warranty gives you specific legal rights and you may have other rights, which may vary from state to state.

## DEFINITION

1. It is a mobile hydraulic lift, with a column structure, built and manufactured to allow the operator to work on wheels or under doors at men's height. The raise and recent movement are obtained using a sleigh fixed to a chain connected to a hydraulic cylinder.
2. Hydra-pneumatic pump with foot control reduced dimensions and a remarkable ease of handling. Thanks to wheels an easy displacement is its main feature.
3. It has been projected for a sure use thanks to an easy and efficient manual block-The safety pin.
4. The manual safety pin permits the column carriage to be blocked during the working operation.
5. Air-hydraulic pump output pressure: 350bar(Max)

## Basic Specification

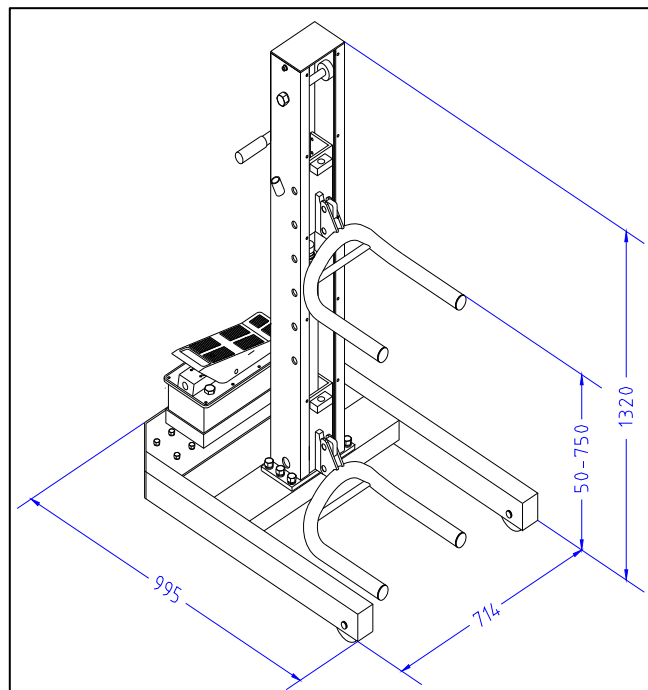
Description	Capacity	Lifting Height	Overall Height	Overall Width	Overall Length
AIR / HYDRAULIC CAR Lift	1.36 ton 3000lbs	2"- 29/2" 50—750mm	52" 1320mm	28 1/8" 714mm	39 3/16" 995mm

Temperature:-10~40 degree

Net Weight: 127.5KGS

Gross Weight: 135KGS

Packing Size:111×73×30cm



**Fig. 1**

## TECHNICAL DESCRIPTION

The lift consists of:

1. *The Column* - The basic part of the system consists of a specially shaped column of folded metal sheet into which the lifting carriage and cylinder are placed.
2. *The Base* - The base is D-shaped with two fixed wheels and two swivel wheels. This ensures stability and mobility.
2. *Lifting Carriage* - The carriage consists of a U-shaped structure, with two axles each containing a wheel with dry bushings, a cover with a hole for the spindle, and a vertical hook at the front for holding the different attachments.
3. *Air-hydraulic foot pump* - Behind the column, there is an air-hydraulic foot pump. It supplies the power to the cylinder for lifting up the weight. It is controlled by the operator's foot with great convenience.

## INSTALLATION

### STEP 1 Casters

Bolt the swivel casters on the rear of the plate. (Fig 2).

### STEP 2 Column

Bolt the column on the plate (Fig.3).

### STEP 3 Pump and hose

Put on the air-hydraulic foot pump. Connect the hose from pump to cylinder (Fig. 4).

### STEP 4 Wheel fork

Put on the wheel fork.(Fig. 5)



Fig. 2

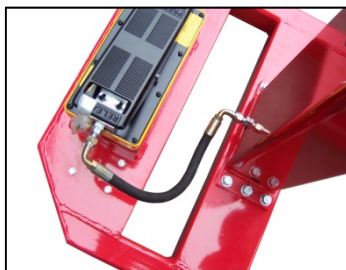


Fig. 4



Fig. 3



Fig. 5

Now the lift is ready for use.

## SAFTY INSTRUCTIONS AND WARNINGS:

- 1: **DO NOT** exceed the rated capacity: 3000LB.
- 2: **DO NOT** stand under the work place when the lift is working.
- 3: This Lift is mainly for lifting. Operator only can work with the support of jack stand. Also make sure the surround situation is safe.
- 4: After lifting, operator only can start work by locking the carriage with safety lock-bar.

## OPERATING INSTRUCTIONS

1. Ensure that the vehicle's rigidity is adequate for lifting.
2. Move the Lift with the handlebar.
3. Put in the desired position, i.e. at the front or rear wheel of the vehicle you want to lift.(Fig.6)
4. Connect the compressed air hose to air-hydraulic foot pump.



Fig. 6



Fig.7



Fig.8

5. Before lifting the vehicle, make sure the engine is turned off. **Check for clearance around vehicle. Loosen the handbrake and put the transmission in neutral.**
6. Press down the foot lever to lift up the wheel to desired height of the vehicle is reached (Fig. 7)
7. Lock the carriage by putting the safety bar into the column then release the lever.(Fig. 8)
8. To lower down the vehicle, first press down the foot lever again to lift up the carriage a little. Take out the safety bar. Then release the lever. The vehicle will lower down by its gravity.
9. In case you want to lift the vehicle by the body frame instead of by a wheel, you will have to replace the holding device.  
To do this, follow the next steps:
  - a. Lift up the far end of the wheel fork, then take it out from the groove on the carriage.
  - b. Insert the frame adaptor into the groove (Fig. 9).

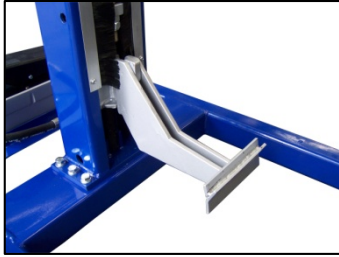


Fig. 9



Fig. 10

10. While using the frame adaptor to lift up the vehicle, remember to position the adaptor on the gravity center line of the vehicle. That is to lift up the whole side of the vehicle.(Fig.10)

Suggestion:

- a. The position on the frame near under the vehicle's side-view mirror is a good place for the adaptor..
- b. Remember that the holding place has to be a strongest area of the frame with stability. Never to be in the center of the vehicle or at the back.

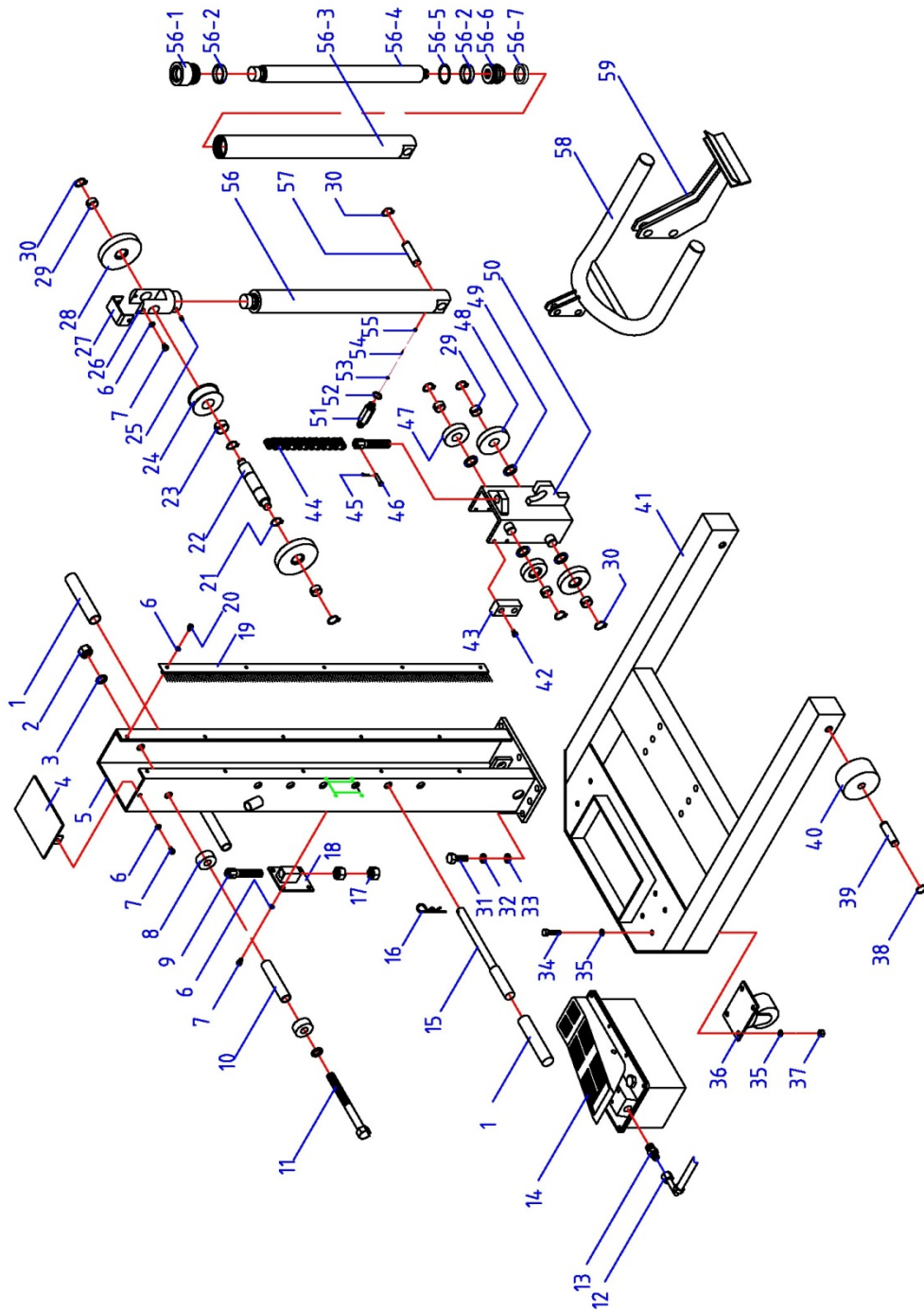
11. May use two lifts in one time to lift up one end of the vehicle. ( Fig. 11 )



Fig. 11



# PARTS DRAWING





## PARTS CODE LIST

ITEM	CODE	DESCRIPTION	QTY	NOTE
1	182093*01-001	Handle sleeve	3	
2	182093*01-002	Hex nylon locknut	1	
3	182093*01-003	Flat washer	2	φ16
4	182093*01-004	column cover	1	
5	182093*01-005	Column	1	
6	182093*01-006	Flat washer	18	φ6
7	182093*01-007	Hex bolt	8	M6*12
8	182093*01-008	block wheel	2	
9	182093*01-009	long bolt	2	
10	182093*01-010	Bush	1	
11	182093*01-011	Hex bolt	1	M16*195
12	182093*01-012	Oil pipe	1	
13	182093*01-013	extention connector	1	
14	182093*01-014	Air-Hydraulic Foot Pump	1	
15	182093*01-015	lock bar	1	
16	182093*01-016	β pin	1	
17	182093*01-017	Hex nut	4	M16
18	182093*01-018	Chain basement	1	
19	182093*01-019	Protective brush	2	
20	182093*01-020	Cross recess head screw	10	M6*8
21	182093*01-021	Circlip for shaft	2	φ25
22	182093*01-022	Wheel axle	1	
23	182093*01-023	Oil less bearing	1	
24	182093*01-024	roller	1	
25	182093*01-025	Hex socket set screws with flat piont	1	M6*10
26	182093*01-026	Roller seat	1	
27	182093*01-027	Protective housing	1	
28	182093*01-028	Roller(III)	2	
29	182093*01-029	Oil less bearing	6	
30	182093*01-030	Circlip for shaft	8	φ20
31	182093*01-031	Hex bolt	6	M12*40
32	182093*01-032	Spring washer	6	φ12
33	182093*01-033	Plain washer	6	φ12
34	182093*01-034	Hex bolt	8	M8*20
35	182093*01-035	Plain washer	16	φ8
36	182093*01-036	swivel Caster	2	

ITEM	CODE	DESCRIPTION	QTY	NOTE
37	182093*01-037	Hex nylon locknut	8	M8
38	182093*01-038	Circlip for shaft	4	φ16
39	182093*01-039	Wheel axle	2	
40	182093*01-040	Wheel	2	
41	182093*01-041	basement	1	
42	182093*01-042	Hexagonal socket head cap screw	4	M6*20
43	182093*01-043	Sliding block	2	
44	182093*01-044	Chain	1	
45	182093*01-045	β pin	2	
46	182093*01-046	chain shaft	2	
47	182093*01-047	Roller( I )	2	
48	182093*01-048	Roller( II )	2	
49	182093*01-049	flat washer	4	φ20
50	182093*01-050	carriage body	1	
51	182093*01-051	Oil connector	1	
52	182093*01-052	Washer	1	
53	182093*01-053	Throttle valve	1	
54	182093*01-054	Spring	1	
55	182093*01-055	Liner	1	
56	182093*01-056	Hydro-cylinder sub-unit	1	
56-1	182093*01-057	Guide circle	1	
56-2	182093*01-058	Guide ring	2	
56-3	182093*01-059	cylinder body	1	
56-4	182093*01-060	Piston rod	1	
56-5	182093*01-061	O-ring	1	φ33.5*φ3.55
56-6	182093*01-062	Piston	1	
56-7	182093*01-063	Grease seal	1	φ40*φ30*65
57	182093*01-064	Shaft	1	
58	182093*01-065	wheel fork	1	
59	182093*01-066	frame adaptor	1	